



POS

MOUNTING SOLUTIONS



who we are, company profile 2

design in Italy 4

configure your pos 5

pole bases 8

accessories 7

arms holders 10

printer shelf 16

PinPad mounts 18

keyboard shelf 17

vesa 75/100 18

index 22

ABOUT US

SN Systems is a company specialized for over 25 years in the production of cash drawers, ergonomic mounting solutions supports, self-order kiosks for the Italian and international market. The experience and seriousness gained over time make us a reliable partner, with a full range of solutions and high quality products.

SOLUTIONS AND INNOVATION

FOR THE POINT OF SALE



OUR MISSION

Customer satisfaction is our priority and we offer customizable products and solutions for any commercial reality of the Retail, Hospitality and GDO sector, ensuring high quality standards. The main unit of the company deals with the production of cash drawers for cash registers, tablet stand solutions and point of sale poles solutions. Our experience and technological know-how allow us to deliver high quality products to the market.



Since 2015 we have introduced a new Retail Pole® division specialized in the production of supports for payment terminals and ergonomic solutions for the cash point.

All the products in our range are carefully selected to guarantee a high level of quality and reliability. The hardware features and the modern and functional design make our solutions an adequate response to the needs of a dynamic and constantly changing market.



DESIGN IN ITALY

We are constantly designing and improving our products. We also develop and produce tailor-made solutions for our customers. We assemble them in our own production lines, **control quality at every stage** and take care of the final distribution. The value and Italian character is in every detail.



MULTIFUNCIONAL MOUNTS

STEP BY STEP GUIDE TO MAKE THE EASY STAND CONFIGURATION POSSIBLE

1. CHOOSE DESIRED MOUNTING

You can install the base with 4 screws, **directly** to the surface or You can apply the **mounting base clamp**.

In booth case You can securely and safety install the configurations.



2. CHOOSE THE BASE

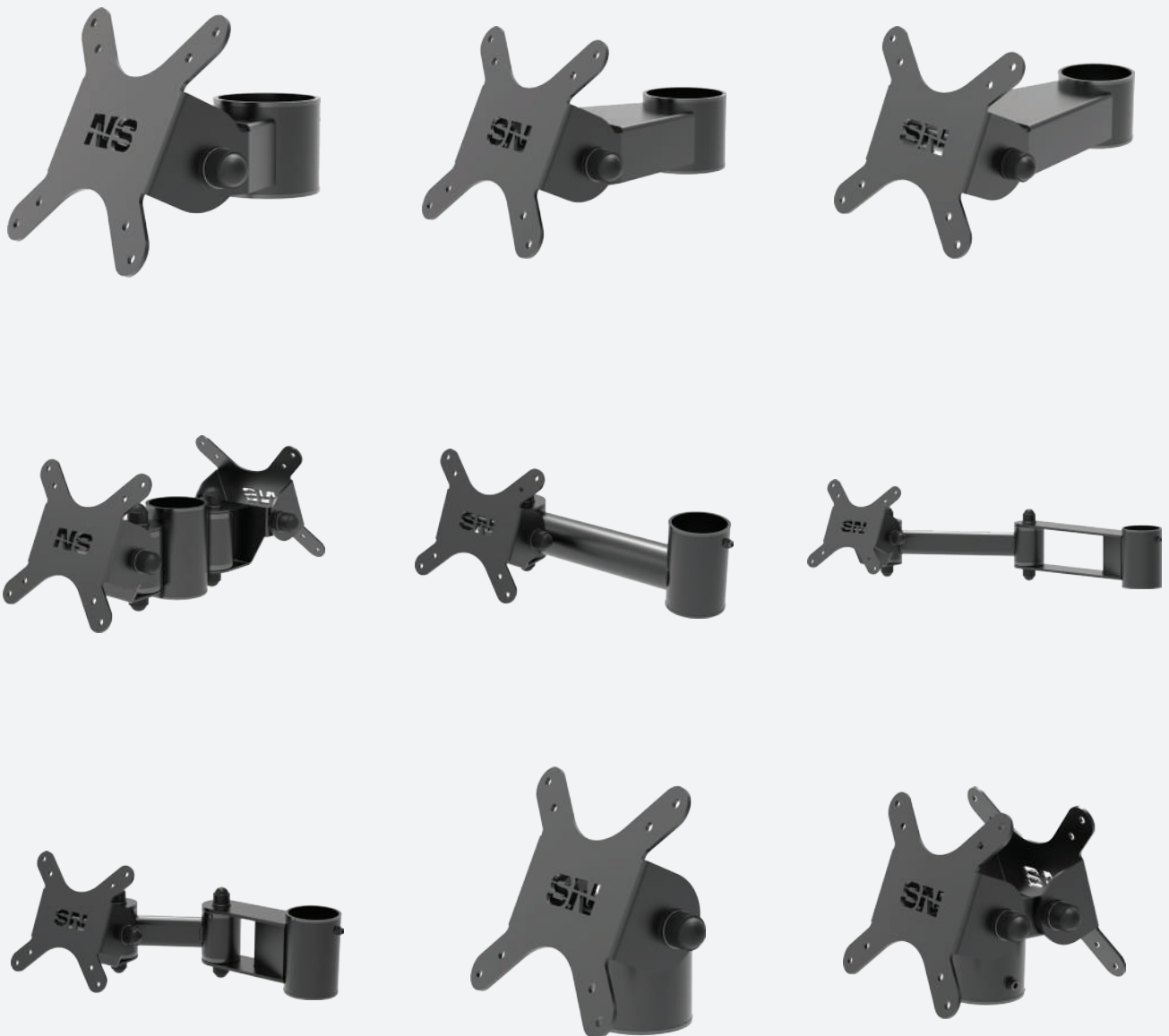
Depending on the number of items You need to install, choose **the right height of the base**, 300 mm, 400 mm, 500 mm. \varnothing is always 45 mm



MULTIFUNZIONALE MOUNTS

3. DECIDE ON THE VESA HOLDER

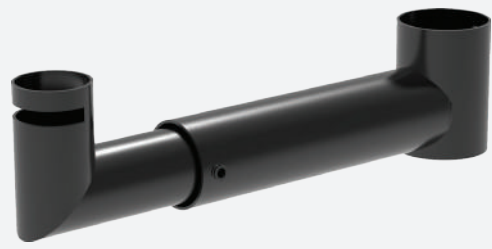
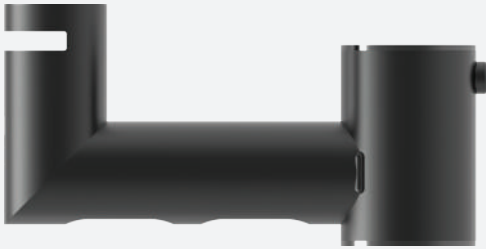
There are **different holders** to choose for the VESA 75/100. All solutions are feature **the tilt** and support vesa 75x75, 100x100.



MULTIFUNCIONAL MOUNTS

4. PICK ACCESSORIES TO REQUIRED DEVICES

The point of sale is about **personalisation**. The accessories help to make a **Desired multifunctional configuration**. From simple to a complex one.



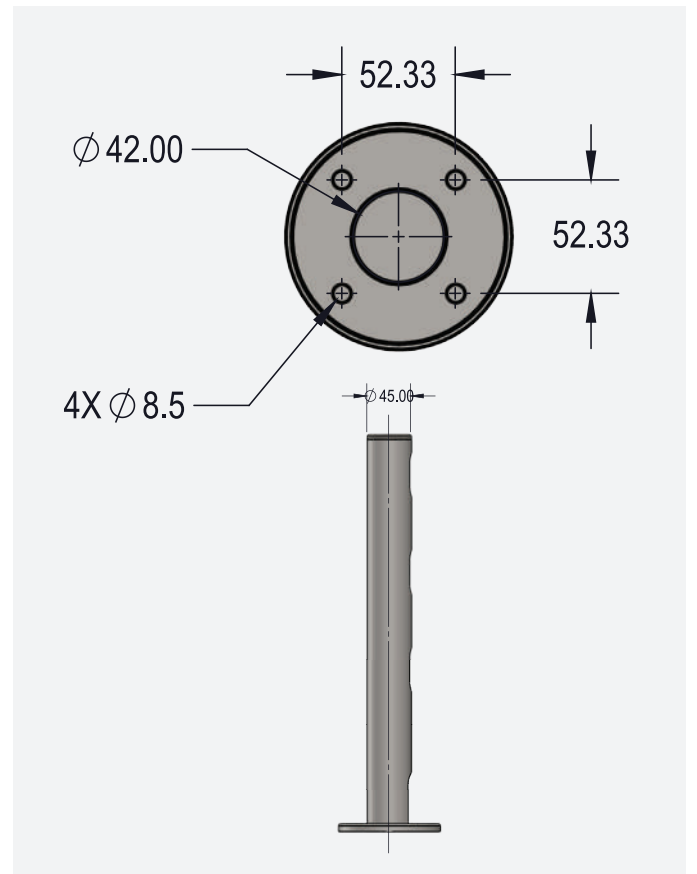


MAIN POLE

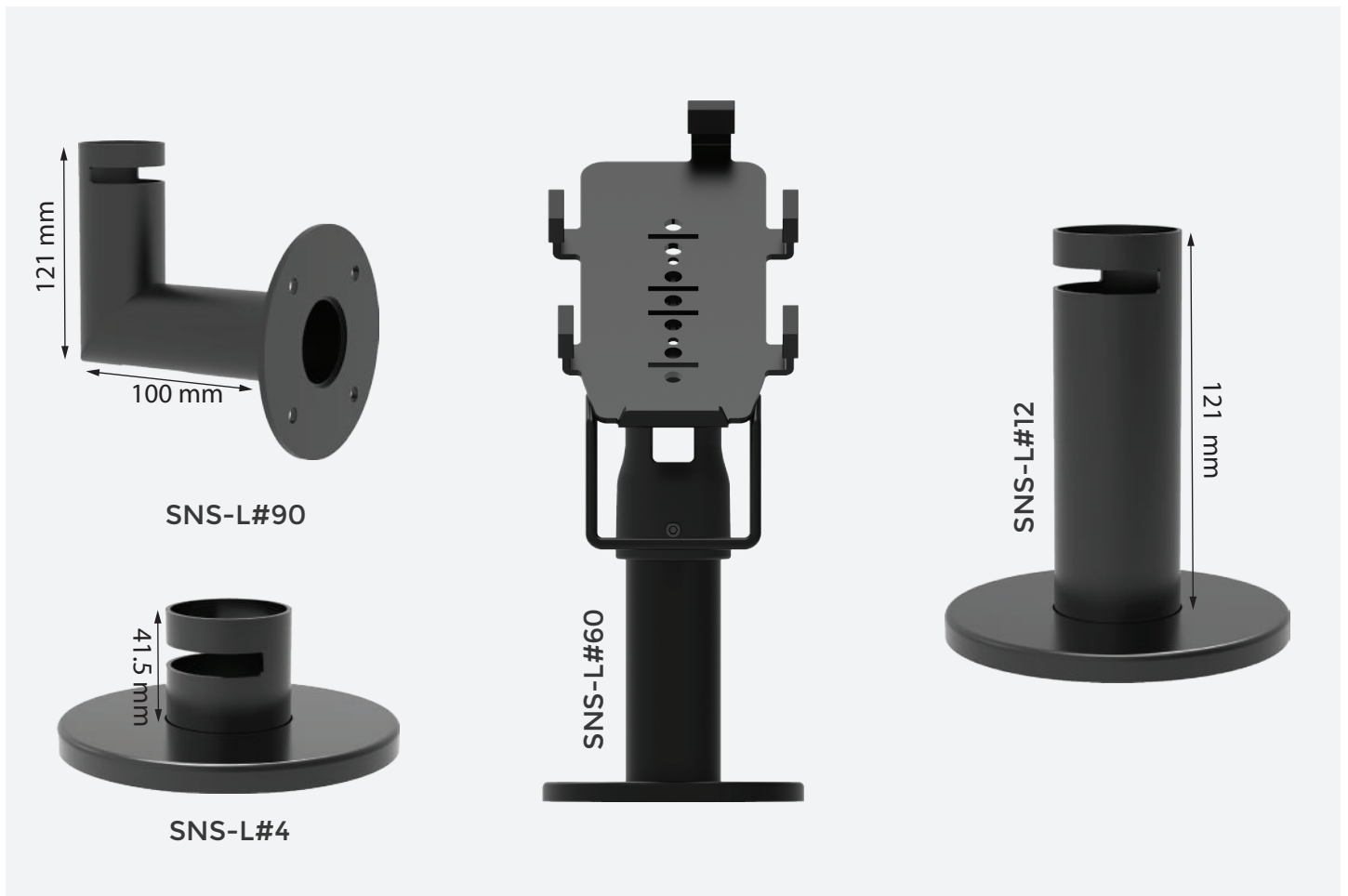
55 Ø

SNS-P#300, SNS-P#400,
SNS-P#500

Available in three heights to suit different needs and the number of devices to be installed.



SNS-P#300, SNS-P#400, SNS-P#500

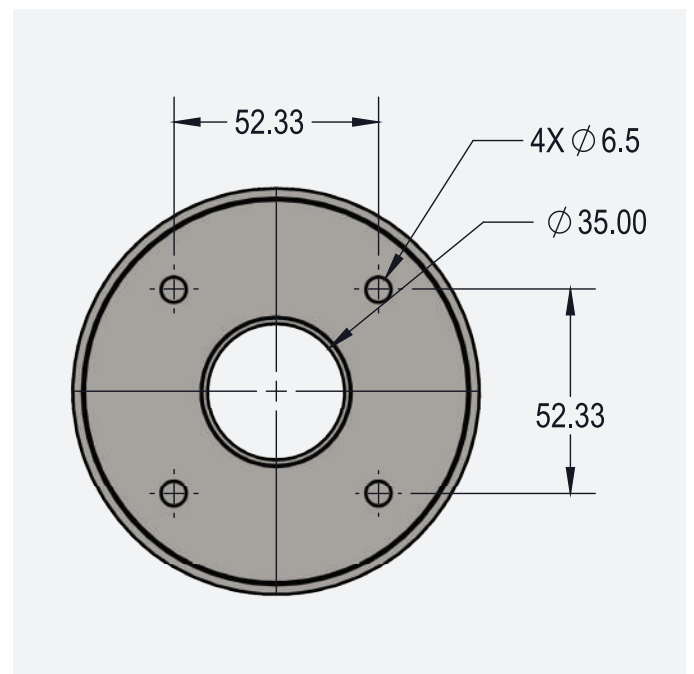


MAIN POLE

38 Ø

SNS-L#4, SNS-L#12, SNS-L#60, SNS-L#90

Additional desk mounting systems, make the POS system fully modular and support easy installation of many devices in any desired configuration. Most common use with SNS-PINPAD



SNS-L#4, SNS-L#12, SNS-L#60, SNS-L#90

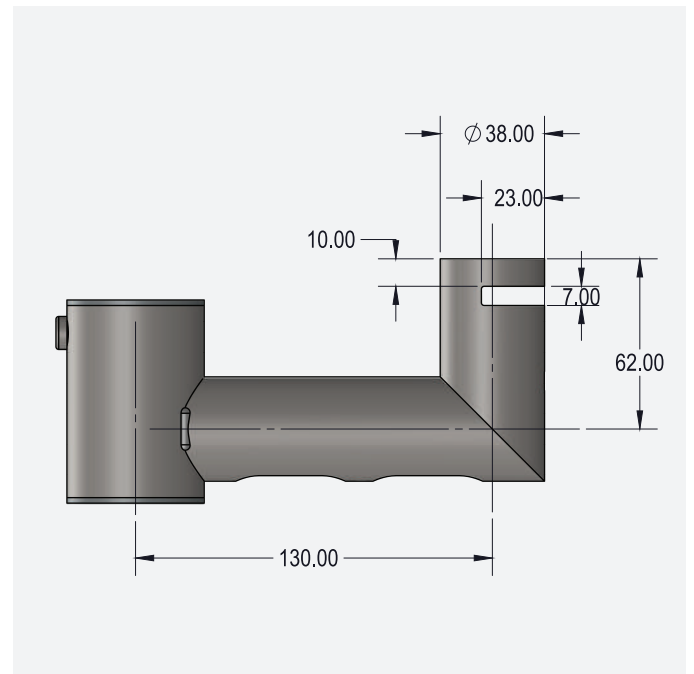


ARMS PERIPHERAL

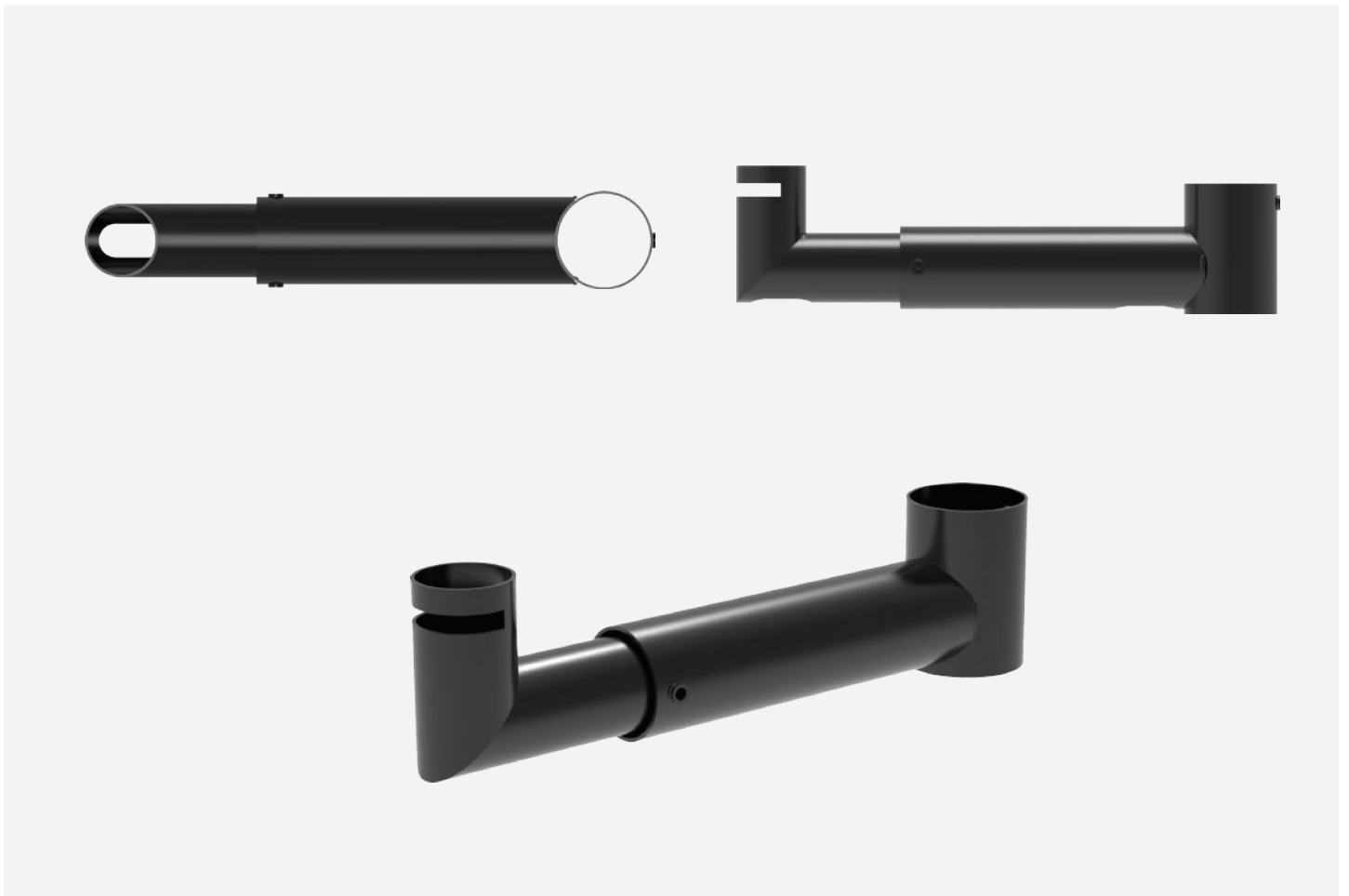
SNS-A#130

Available in three heights to suit different needs and the number of devices to be installed.

- Color: Black, White, (#RAL customizable)
- Material: Steel FE360, ABS Plastic
- Max weight: 8.0 Kg



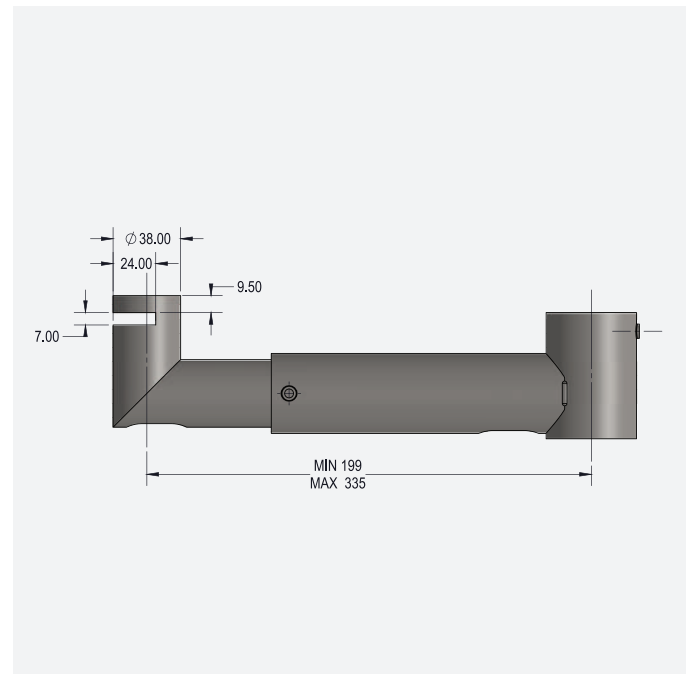
SNS-A#130



EXTENDED ARMS PERIPHERAL **SNS-A#150+300**

An arm with an adjustable length in the range of 280-350 mm. Extension arm peripheral with adjustable length installable on SNS-P# series products for hardware installation.

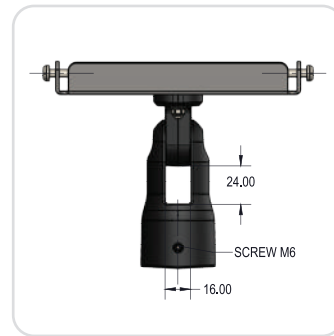
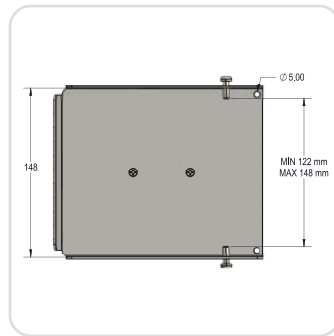
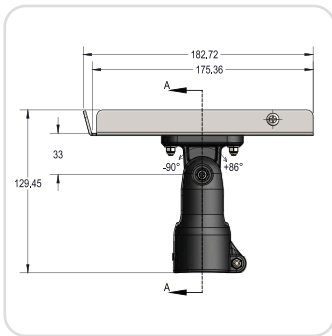
- Color: Black, White, (#RAL customizable)
- Material: Steel FE360, ABS Plastic
- Max weight: 8.0 Kg



SNS-A#150+300

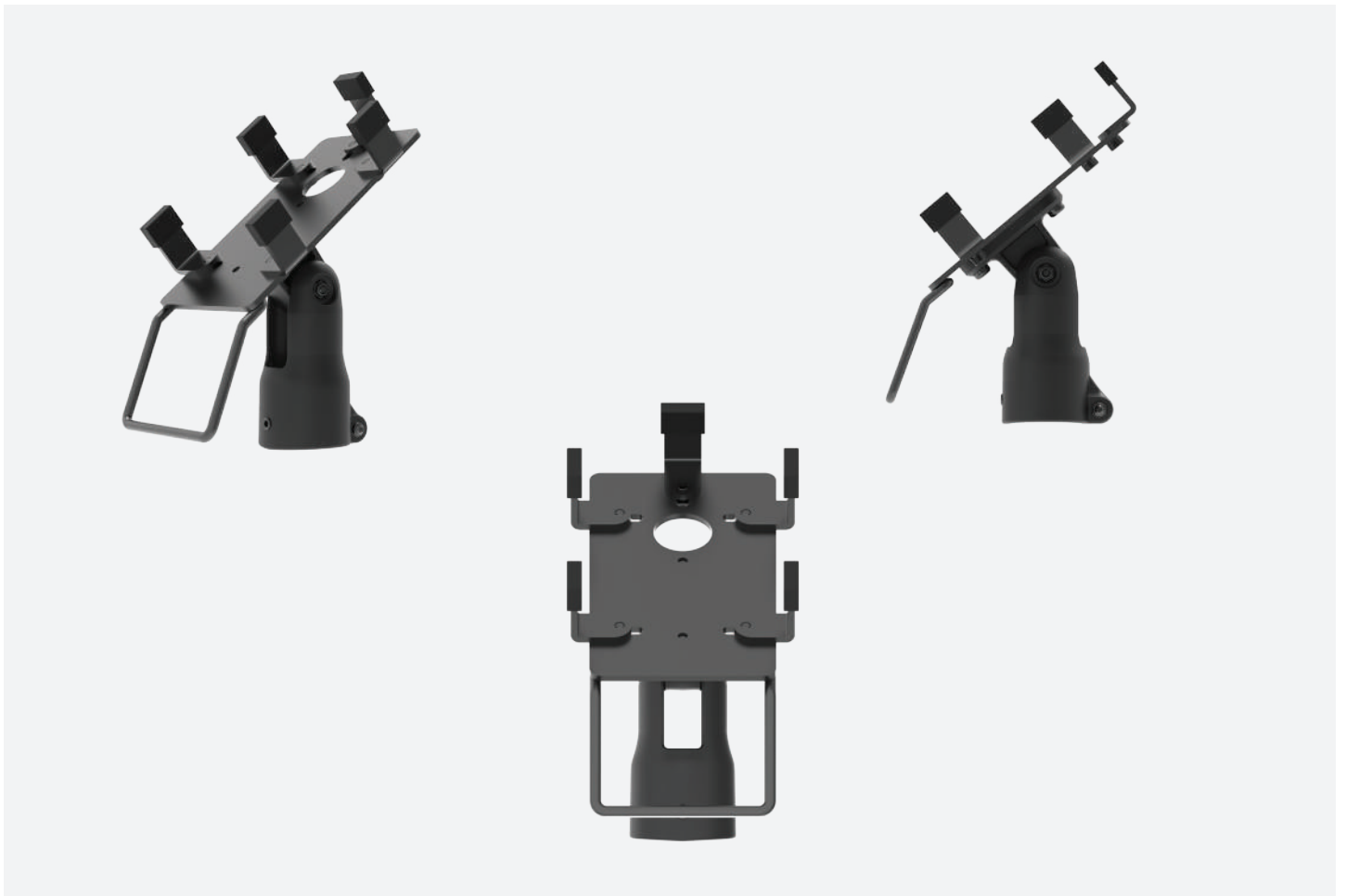
II SNS#PRINTER

Printer plate holder 180x160 mm, to allow the mount of a receipt printer



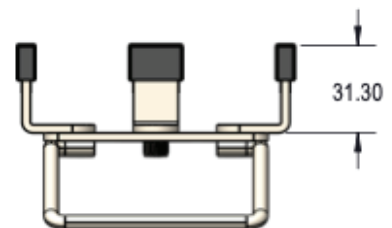
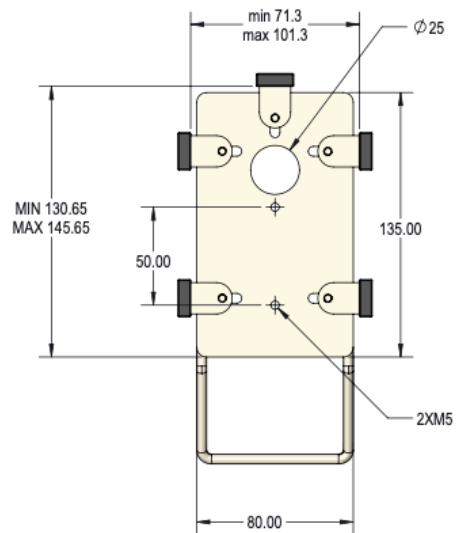
SPECIFICATION

- Tilt Angle: +150°, -15°
- Inside cable management
- Rotation on the arm holder 180°
- Color: Black, White, (#RAL customizable)
- Material: Steel FE360, ABS Plastic
- Max weight: 8.0 Kg

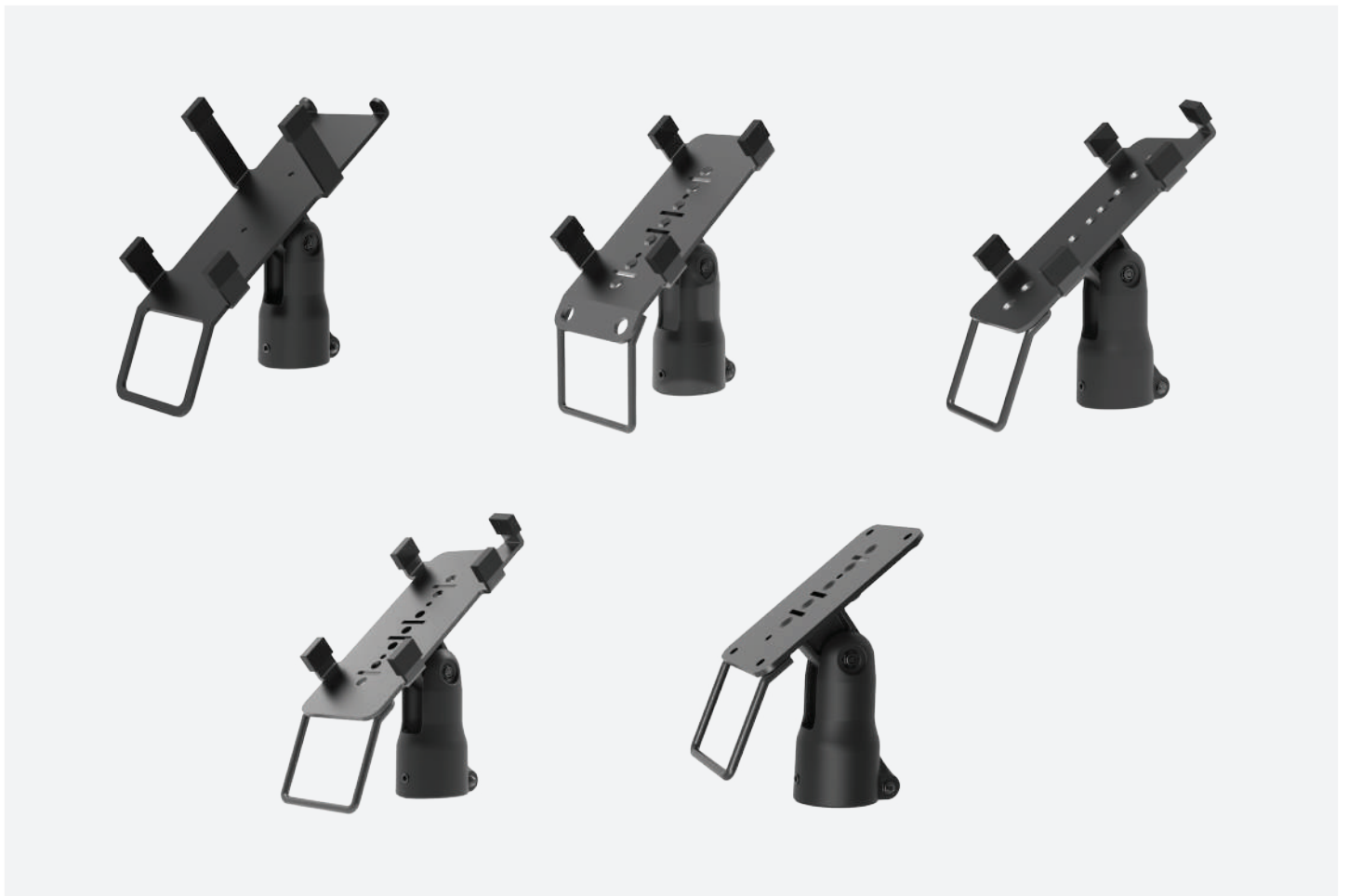


UNIVERSAL PINPAD MOUNT **SNS#PINPAD-UNI**

A universal solution dedicated to the installation of payment terminals. Equipped with an adjustment system. It can be adjusted to fit most devices available on the market.



SNS#PINPAD-UNI



INGENICO, VERIFONE, PAX, CUSTOMIZATIONS

A solutions dedicated to the installation of payment terminals. For each payment terminal brand in the market we have a proper plate holder. We are able to develop a special customized solution.

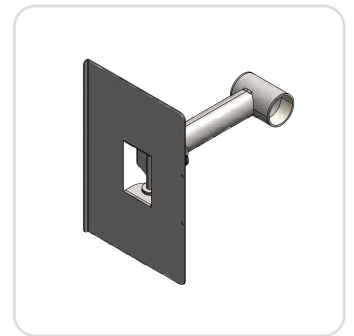
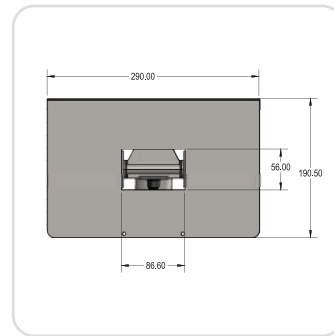
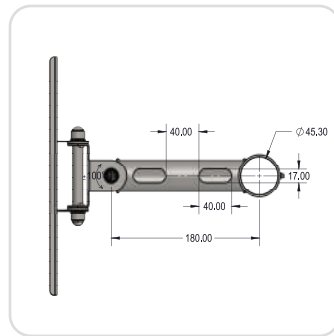
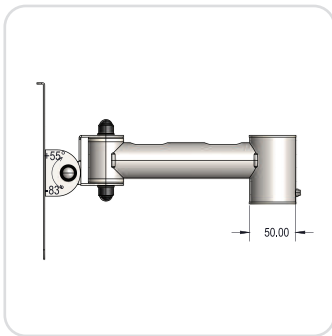


ingenico **Verifone**[®]



|| SNS#KEYB

Keyboard plate support base including extension arm for installation on SNS-P# product series. Plate size: 300(L) x 190(D) mm

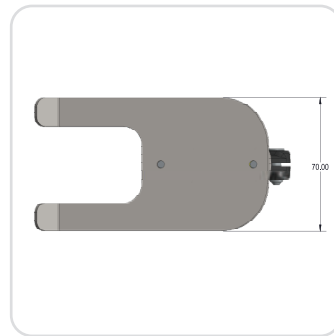
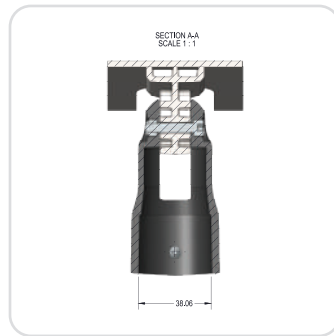
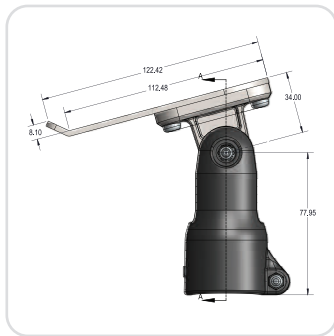


SPECIFICATION

- Tilt Angle: +150°, -3°
- Inside cable management
- Rotation adjustable on the pole at 360°
- Length extension from the main pole fixed 180mm
- Color: Black, White, (#RAL customizable)
- Material: Steel FE360, ABS Plastic
- Max weight: 8.0 Kg

|| SNS#B1

Barcode reader installation support plate for installation on SNS-A# product series.



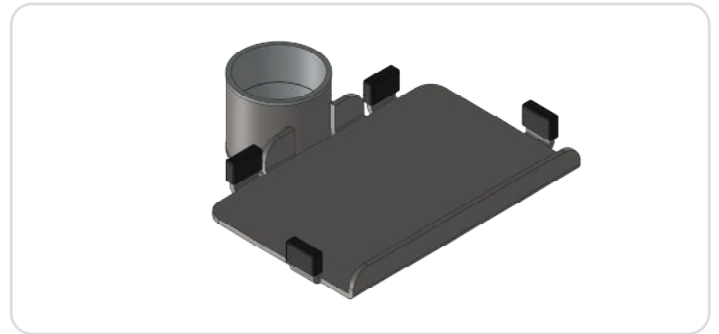
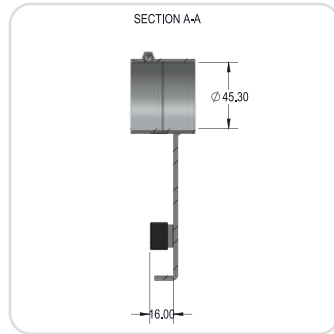
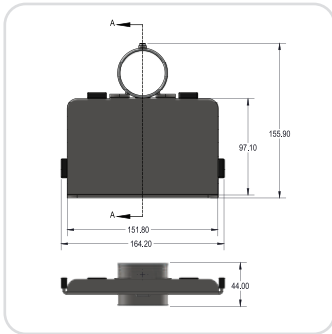
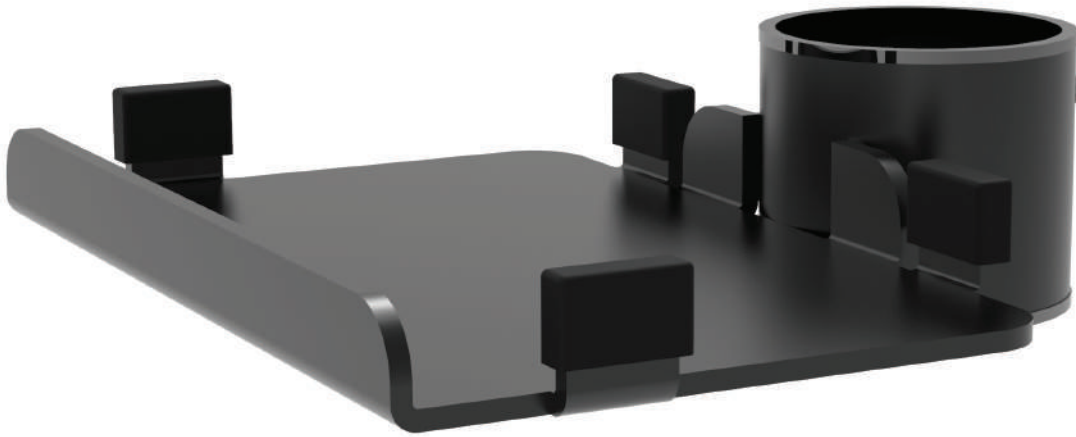
SPECIFICATION

- Product Code: SNS#B1
- Available customization
- Tilt Angle: +150°, -15°
- Inside cable management
- Holder dimension for most common hand barcode reader
- Rotation on the arm holde 180°
- Color: Black, White, (#RAL customizable)
- Material: Steel FE360, ABS Plastic
- Max weight: 8.0 Kg

Barcode reader installation support plate for installation on SNS-P# product series on checkout desk station.

■ SNS#B2

Barcode reader installation support plate for installation on SNS-A# product series.

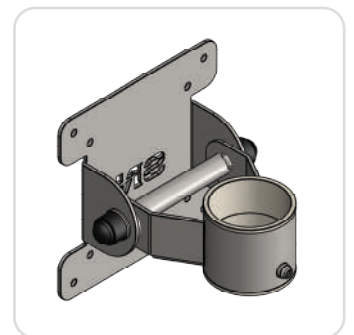
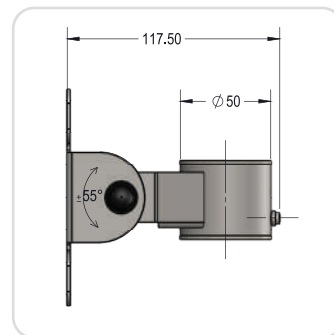
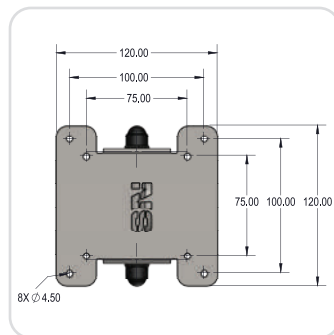
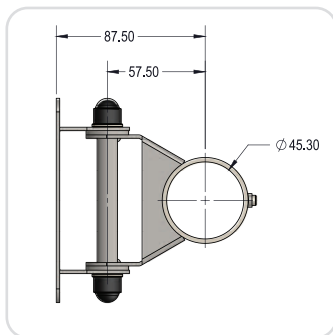


SPECIFICATION

- Product Code: SNS#B2
- Available customization
- Rotation on the main pole 360°
- Plate holder internal dimension 160(W) x 180(D) mm
- Color: Black, White, (#RAL customizable)
- Material: Steel FE360, ABS Plastic
- Max weight: 8.0 Kg

■ SNS-V#200

Display VESA 75/100 holder mounting support installable on SNS-P# product series. Ideal to install Display and Touchscreen Monitor.

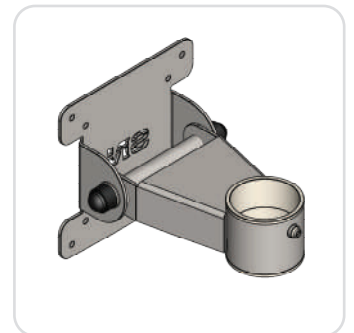
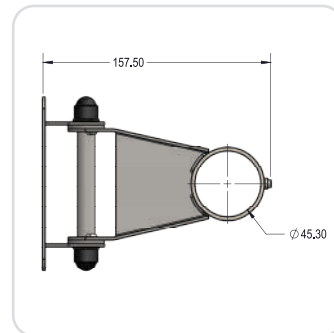
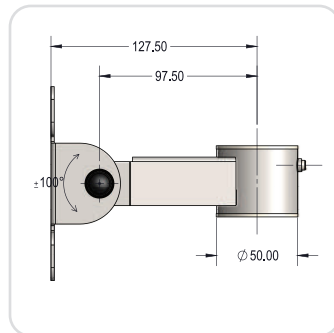
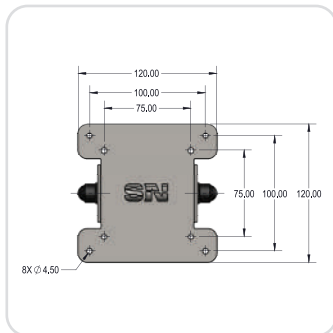


SPECIFICATION

- Product Code: SNS-V#200
- VESA 75/100 holder mount
- Touch screen size from 8" to 24"
- Display inclination tilt: +90°, -60°
- Distance between main pole (SNS-P#) and vesa plate: 60 mm
- Rotation adjustable on the pole at 360°
- Color: Black, White, (#RAL customizable)
- Material: Steel FE360, ABS Plastic
- Max weight: 8.0 Kg

|| SNS-V#201

Display VESA 75/100 holder mounting support installable on SNS-P# product series. Ideal to install Display and Touchscreen Monitor.

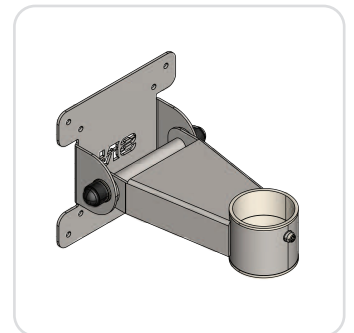
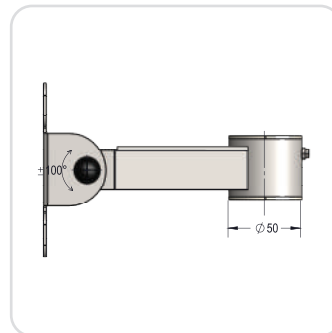
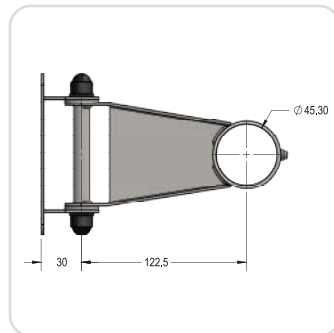
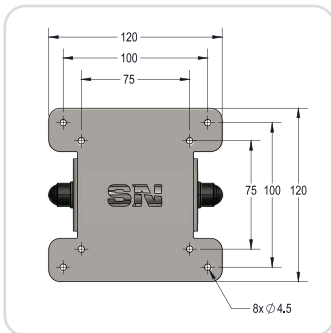


SPECIFICATION

- Product Code: SNS-V#201
- VESA 75/100 holder mount
- Touch screen size from 8" to 24"
- Display inclination tilt: +90°, -60°
- Distance between main pole (SNS-P#) and vesa plate: 80 mm
- Rotation adjustable on the pole at 360°
- Color: Black, White, (#RAL customizable)
- Material: Steel FE360, ABS Plastic
- Max weight: 8.0 Kg

|| SNS-V#202

Display VESA 75/100 holder mounting support installable on SNS-P# product series. Ideal to install Display and Touchscreen Monitor.

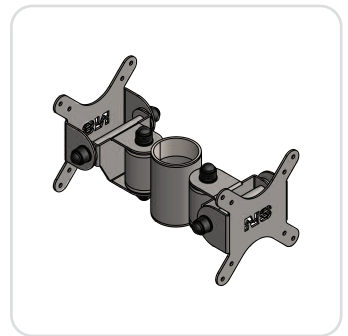
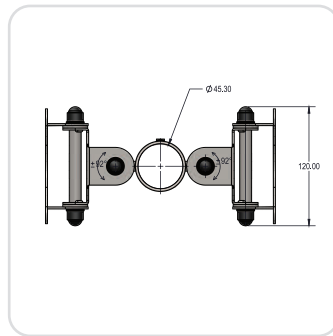
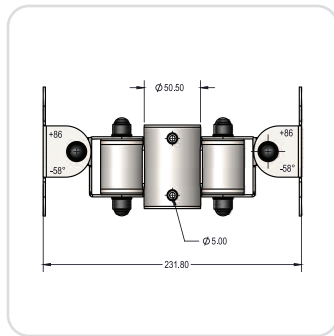
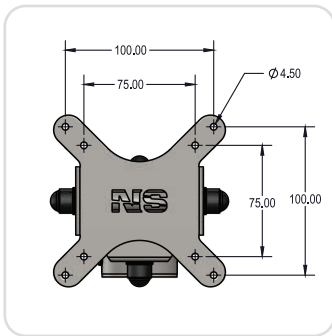


SPECIFICATION

- Product Code: SNS-V#202
- VESA 75/100 holder mount
- Touch screen size from 8" to 24"
- Display inclination tilt: +90°, -60°
- Distance between main pole (SNS-P#) and vesa plate: 120 mm
- Rotation adjustable on the pole at 360°
- Color: Black, White, (#RAL customizable)
- Material: Steel FE360, ABS Plastic
- Max weight: 8.0 Kg

|| SNS-V#203

Double display VESA 75/100 holder mounting support installable on SNS-P# product series. Ideal to install x2 Display and Touchscreen Monitor.

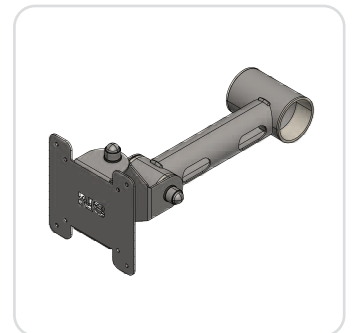
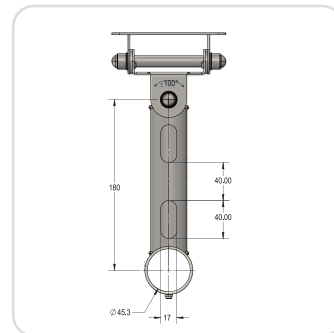
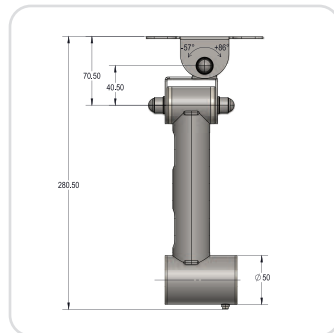
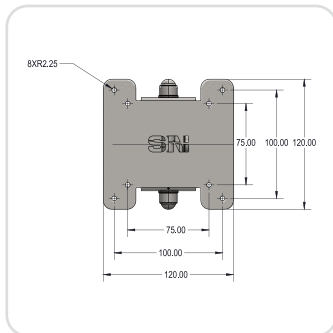


SPECIFICATION

- Product Code: SNS-V#203
- x2 VESA 75/100 holder mount
- Touch screen size from 8" to 24"
- Display inclination tilt: +90°, -60°
- Distance between main pole (SNS-P#) and vesa plate: 55 mm
- Rotation adjustable +90°, -90°
- Color: Black, White, (#RAL customizable)
- Material: Steel FE360, ABS Plastic
- Max weight: 16.0 Kg

■ SNS-V#204

Screen Mount VESA 75/100 support with arm peripheral fixed mounted. Ideal to install Display and Touchscreen Monitor.

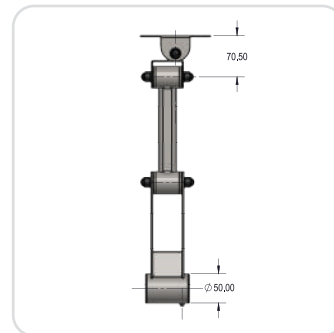
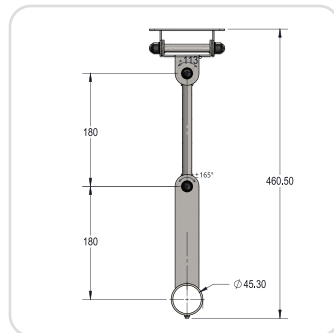
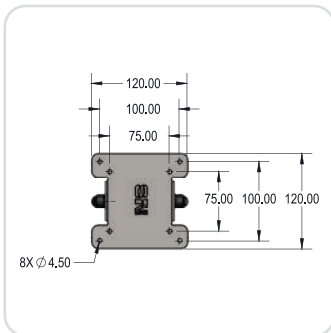


SPECIFICATION

- Product Code: SNS-V#204
- Inside cable management
- Touch screen size from 8" to 24"
- Display inclination tilt: +90°, -40°
- VESA 75/100 holder mount with fixed arm holder 180(L) mm
- Rotation adjustable on the pole at 360°
- Color: Black, White, (#RAL customizable)
- Material: Steel FE360, ABS Plastic
- Max weight: 8.0 Kg

|| SNS-V#2A

Screen mount VESA 75/100 support with swivel arm peripheral extension and adjustable distance from the main pole (SNS-P#). Ideal to install Display and Touchscreen Monitor and adjust according to the checkout position operation.

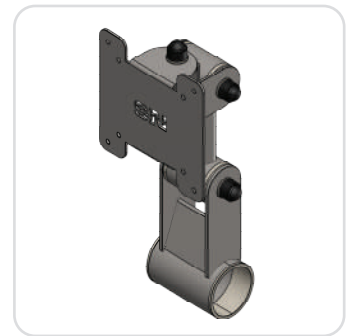
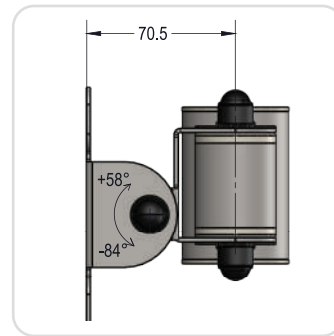
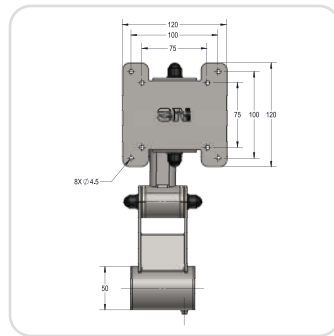
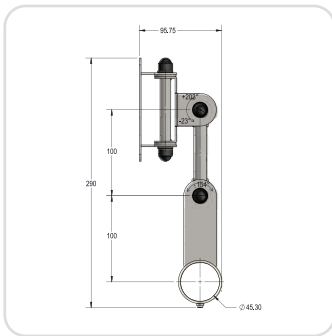


SPECIFICATION

- Product Code: SNS-V#2A
- Touch screen size from 8" to 24"
- Display inclination tilt: +90°, -40°
- Rotation adjustable on the pole at 360°
- VESA 75/100 holder mount with double extension arm holder (min 160mm to max 300mm)
- Color: Black, White, (#RAL customizable)
- Material: Steel FE360, ABS Plastic
- Max weight: 8.0 Kg

|| SNS-V#2A MINI

Screen mount VESA 75/100 support with swivel arm peripheral extension and adjustable distance from the main pole (SNS-P#). Ideal to install Display and Touchscreen Monitor and adjust according to the checkout position operation.

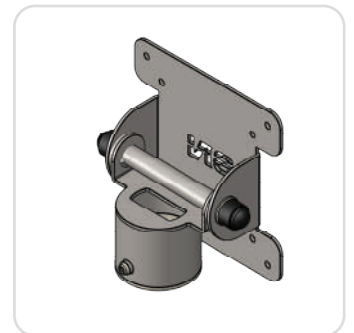
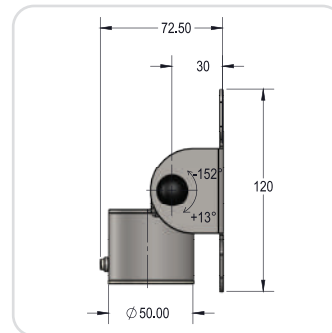
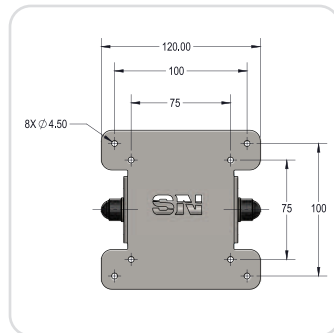
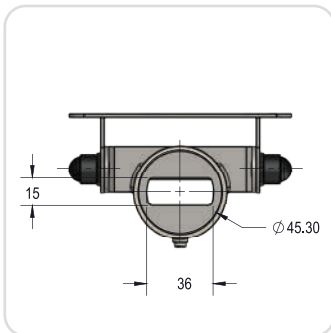


SPECIFICATION

- Product Code: SNS-V#2A MINI
- Touch screen size from 8" to 24"
- Display inclination tilt: +90°, -40°
- Rotation adjustable on the pole at 360°
- VESA 75/100 holder mount with double extension arm holder (min 160mm to max 300mm)
- Color: Black, White, (#RAL customizable)
- Material: Steel FE360, ABS Plastic
- Max weight: 8.0 Kg

■ SNS-V#T

Single Display VESA 75/100 holder mounting support installable on top of SNS-P# product series. Ideal to install Display and Touchscreen Monitor.

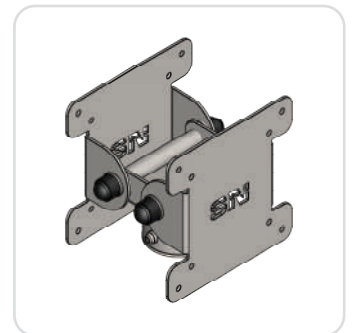
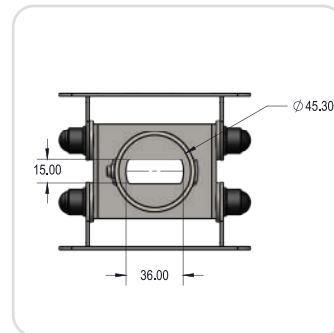
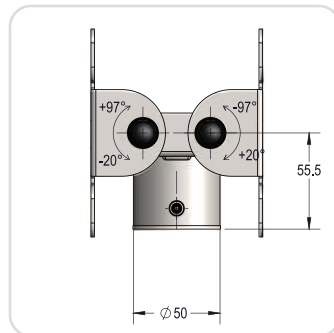
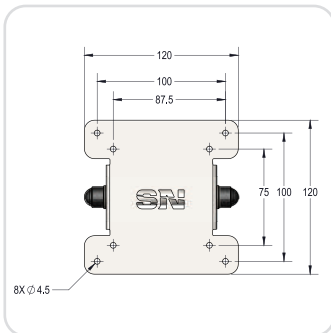


SPECIFICATION

- Product Code: SNS-V#T
- VESA 75/100 holder mount
- Inside cable management
- Touch screen size from 8" to 24"
- Display inclination tilt: +90°, -40°
- Rotation adjustable on the pole at 360°
- Color: Black, White, (#RAL customizable)
- Material: Steel FE360, ABS Plastic
- Max weight: 8.0 Kg

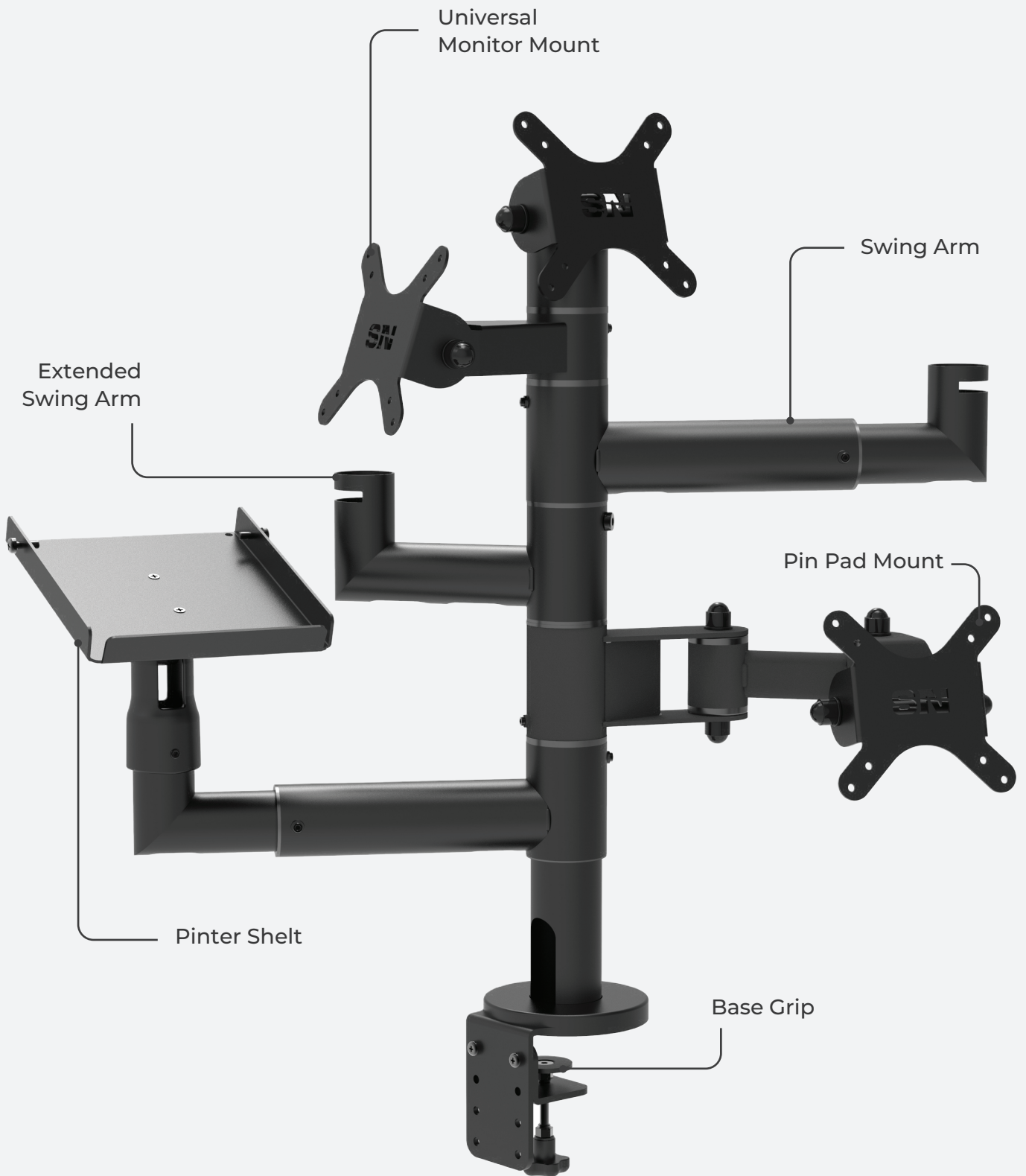
|| SNS-V#2T

Double Display VESA 75/100 holder mounting support installable on top of SNS-P# product series. Ideal to install Display and Touchscreen Monitor.



SPECIFICATION

- Product Code: SNS-V#2T
- x2 VESA 75/100 holder mounts
- Inside cable management
- Touch screen size from 8" to 24"
- Display inclination tilt: +20°, -20°
- Rotation adjustable on the pole at 360°
- Color: Black, White, (#RAL customizable)
- Material: Steel FE360, ABS Plastic
- Max weight: 16.0 Kg



picture	prod. Code	description	end user price
	SNS-P#300	Main Pole 300H (mm) - diameter 45 (mm)	44.00 €
	SNS-P#400	Main Pole 400H (mm) - diameter 45 (mm)	46.00 €
	SNS-P#500	Main Pole 500H (mm) - diameter 45 (mm)	48.00 €
	SNS-L#4	Main Pole 40H (mm) - diameter 38 (mm)	18.00 €
	SNS-L#12	Main Pole 120H (mm) - diameter 38 (mm)	20.00 €
	SNS-L#90	Main Pole 120H (mm) - diameter 38 (mm)	24.00 €
	SNS-L#60	Main Pole 180H (mm) - diameter 38 (mm) + SNS#PINPAD-***	32.00 €
	SNS-T#CLAMP	Main Pole Tablet Clamp (for 38 and 45 mm pole)	18.00 €
	SNS-V#200	Extra Short VESA 75/100 holder	43.00 €
	SNS-V#201	Medium VESA 75/100 holder	44.00 €

picture	prod. Code	description	end user price
	SNS-V#202	Large VESA 75/100 holder	48.00 €
	SNS-V#203	x2 Swing VESA 75/100 holder	115.00 €
	SNS-V#204	Arm 180 and VESA 75/100 holder	85.00 €
	SNS-V#T	VESA 75/100 Top holder	48.00 €
	SNS-V#2T	x2 VESA 75/100 Top holder	55.00 €
	SNS-V#2A	VESA 75/100 Swing Arm	110.00 €
	SNS-V#2A MINI	VESA 75/100 Swing Arm MINI	95.00 €
	SNS-V#W	VESA 75/100 Wall Mount	32.00 €
	SNS-A#130	Arm 130L (mm) holder	38.00 €
	SNS-A#150+300	Extended Arm 150+300 (mm) holder	52.00 €
	SNS#PRINTER	POS Printer holder shelf	55.00 €

picture	prod. Code	description	end user price
	SNS#PINPAD-U	Universal POS Pin Pad holder	48.00 €
	SNS-PINPAD-IN	POS Pin Pad holder for Ingenico models - please specify the model reference name	46.00 €
	SNS-PINPAD-VE	POS Pin Pad holder for Verifone models - please specify the model reference name	46.00 €
	SNS-PINPAD-PA	POS Pin Pad holder for PAX models - please specify the model reference name	46.00 €
	SNS#KEYB	Swing Keyboard holder	75.00 €
	SNS-B#1	Hand Barcode Reader holder	47.00 €
	SNS-B#2	Barcode Reader holder shelf	47.00 €
	SNS#2LOCK	x2 T-Bar Lock	16.00 €
	SNS#CM1	Cable Management	4.40 €
	SNS#CM2	Cable Management	4.50 €