



KIOSK SELF ORDER & PAY



SNK-1527



SNK-1527 is an innovative modular multifunctional solution designed to quickly configure self-service and payment kiosks in the restaurant, retail, and large-retails.

Its versatility allows for various installation modes on the counter, floor, or wall-mounted. Compatible with Android or Windows BOX PCs, P-CAP touch screen monitors from 15" to 27". Printer housing for receipt printers (Epson or Custom K3) expands the totem's functionalities, adapting it to the specific needs of the project. In addition to the ability to install various models of POS payment terminals and a 2D QR code reader

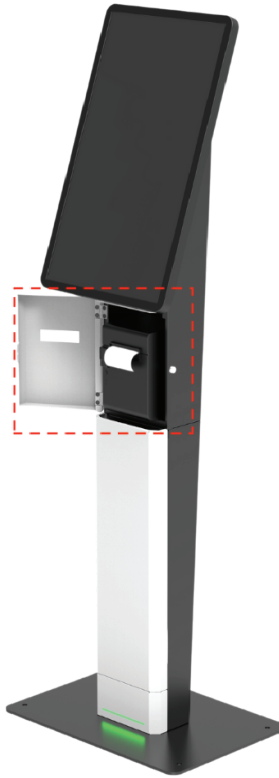
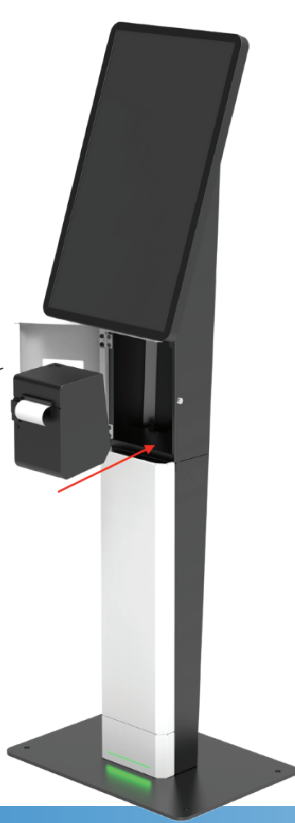
Modular Self-Ordering & Payment Kiosk

SNK-1527C, SNK-1527F

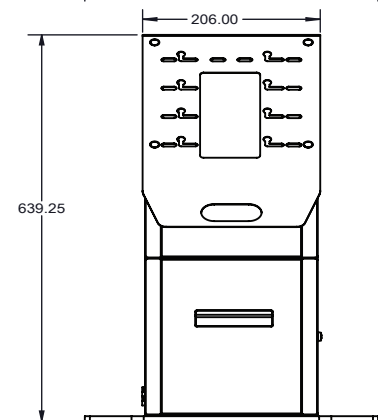
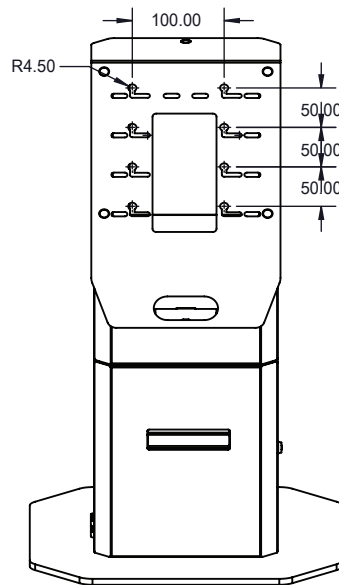
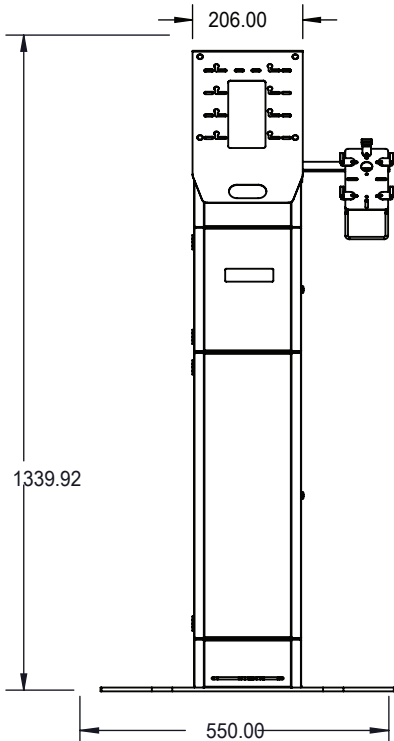
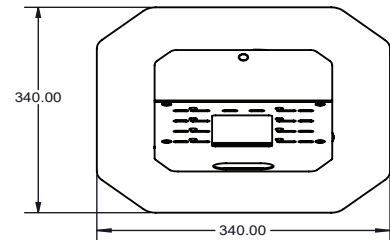
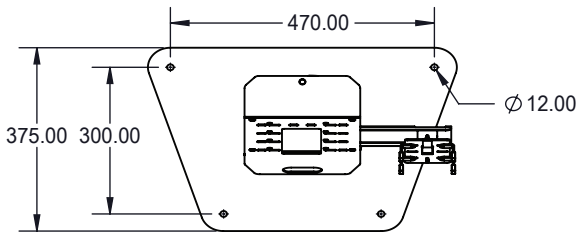
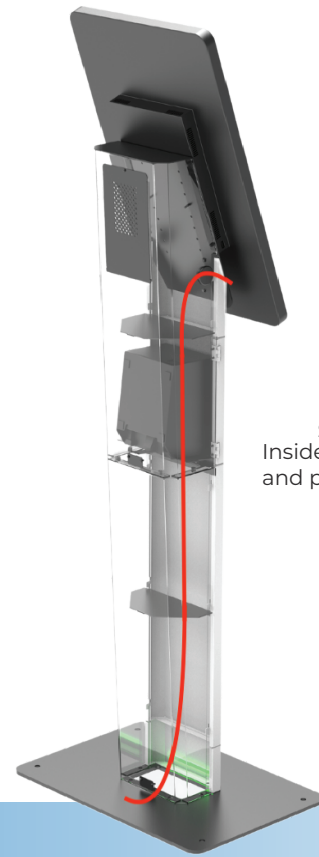


PRINTER DOOR HOUSING

Printer slot housing with door and keylock



STORAGE
Inside cable management and paper rolls storage



Modular Self-Ordering & Payment Kiosk

Technical Specification **SNK-1527C, SNK-1527F**

Details

Material	SPCC Steel
Color	Black, White, #RAL custom
Monitor Touch Screen	from 21.5" to 27" - PCAP Multi Touch (FLAT Panel) - Backlight LED
Max Resolution	1920*1080
Lighthness	250 cd/m2
Operating Systems	Android (integrated), Windows (BOX PC)
Receipt printer	printer housing for Epson TM-88, TM-T20, Custom K3
Pin Pad payment	Universal payment holder
Barcode reader	QR Code 2D
Power	100-240VAC, 50/60HZ
Accessories	x4 wheels (Accessory)

- **CUSTOM K3**
- **EPSON FP81**

